



# ALBERO AL9.LHD

FIREPLACE INSERT / AIR



ENERGY CLASS



## BASIC INFORMATION ABOUT THE PRODUCT



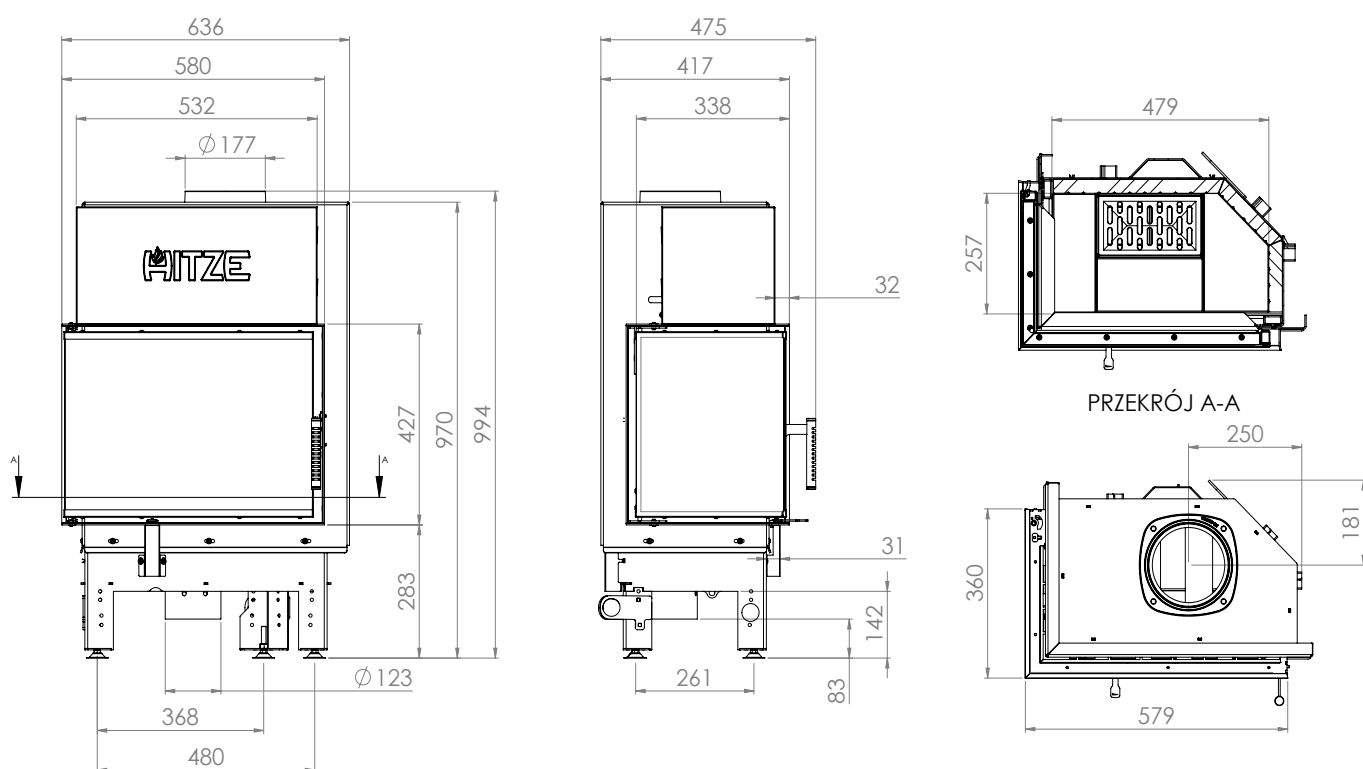
- As many as 36 models differing in heating power (9, 11, 14, 16, 19 and 25 kW), glazing (straight or corner) and door opening method (traditional or lifted up).
- Possibility of any modification of the glazing and selecting the Decor, curved glass or double glazing option.
- Inserts made of high-quality P265GH boiler steel, which is resistant to continuous operation at elevated temperatures. A reinforced door profile was used.
- Production is carried out using a modern fleet of machines: welding robots, press brakes, laser cutting machines.
- It meets restrictive exhaust emission standards and the ECODSIGN directive thanks to the use of an exhaust gas after-combustion system and high efficiency.
- The innovative ventilated handle protects against burns. Suitable for houses with heat recovery.
- A built-in intake with a damper allows for smooth, integrated regulation of the amount of air supplied.
- The air curtain provides a „clean glass“ effect, and easy cleaning is provided by a cast iron grate with a removable ash container.

Nominal power [kW]	9
Heating load range [kW]	4,5-12
Thermal efficiency [%]	78
CO emission (at 13% O2) [g/m3]	0,036
Pollen emission [g/m3]	0,818
Average fuel consumption [kg/h]	3
Recommended dimensions of outlet grilles [cm2]	630-720
Recommended dimensions of inlet grilles [cm2]	360-590
Glass dimensions [mm]	545x390x325
Flue diameter [mm]	177
Inlet diameter [mm]	123
Weight [kg]	112
Efficiency factor	104,1



# ALBERO

AL9.LHD



**ALBERO**  
AL9.L.H.D